

2017 CATALOG



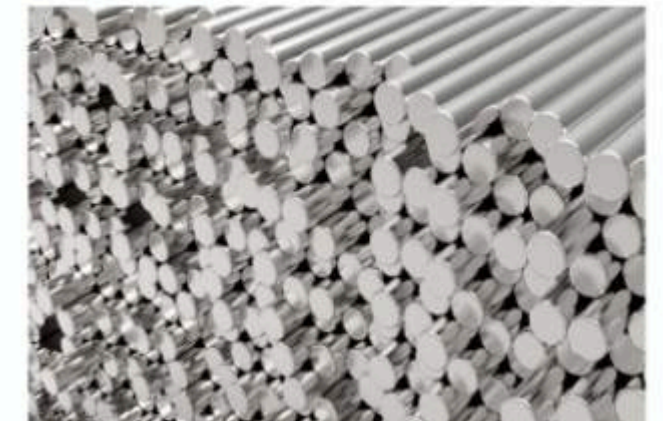
PULL HANDLES

Herrajes Auseré

More than 30 years in the Spanish

market is what endorses the seriousness of our company and the quality of all of our products. We manufacture according to the European standards of quality, prime materials, security and fire resistance, this is confirmed with the certifications granted to us by international laboratories, both European and Spanish.

We are manufactures not intermediaries.



Quality

Quality

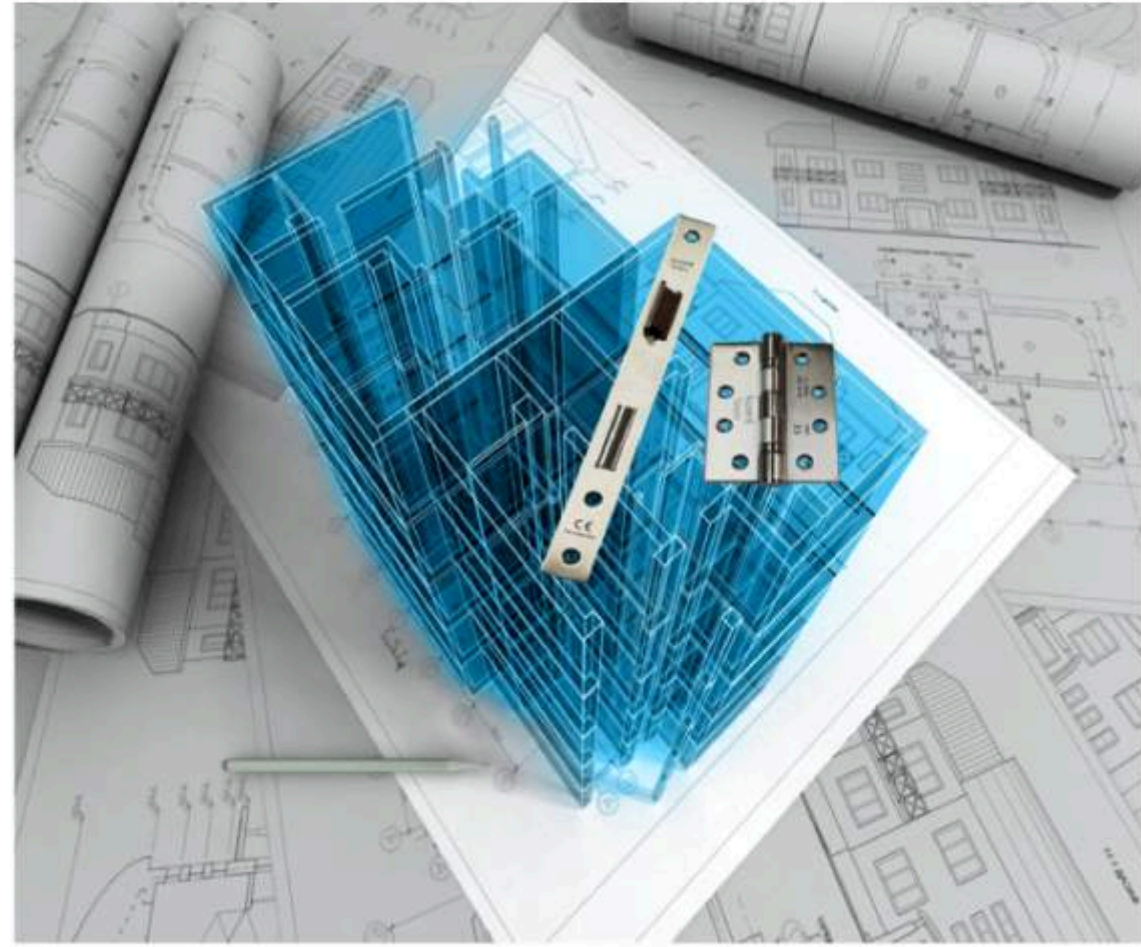
Quality



Spain

Spain

Spain





CERTIFICATE OF CONFORMITY

Certificate No.: CNT1601061001-3

The Certification Body of

CANEW TESTING AND CERTIFICATION LTD

Certifies that

Applicant: HERRAJES AUSERE SL.

Address: Poligono Malpica – Alfinden calle P nave 5 50171 La Puebla de Alfinden Zaragoza Spain

Product: Stainless steel door handle

Rating (S)	3	7	-	1	1	4	0	B
------------	---	---	---	---	---	---	---	---

Type: 8400.8200.8900

Complies with the requirements of the European Community **Electromagnetic Compatibility (CPD/CPR) Regulation (EU) No 305/2011**. The submitted products have been tested by us and found in compliance with the following European Standards:
EN 1906-2012

This certificate of conformity is based on an evaluation of a sample of the above mentioned product. It does not imply an assessment of the whole production. This certificate should be used in conjunction with the technical documentation file related to the product.



Signature:

Timothy Walsh

Date of issue: Nov 20, 2017



CANEW TESTING AND CERTIFICATION LTD

30 IRONMONGERS PLACE, LONDON, ENGLAND E14 9YD .Company No. 08936663

**EL LABORATORIO DE ENSAYOS Y CALIBRACIONES (*)
DEL INSTITUTO TECNOLÓGICO DE ARAGÓN**

In relation to products:

Description: PULL HANDLE AND ROSES
Identification: AISI 304 ACCESSORIES AND PULL HANDLES
Manufacturer: HERRAJES AUSERÉ

CERTIFIES

That an accelerated corrosion test in salt spray chamber has been performed, according to the standard UNE-EN 1906:2002 "Building hardware. Door handles and knobs. Requirements and test methods", in order to verify their resistance to corrosion. This standard make reference to the requirements shown at standard UNE-EN 1670:2007 "Building hardware. Corrosion resistance. Requirements and test methods".

That, according to the test performed, samples comply with the requirements of the standard UNE-EN 1670:2007, for the highest grade of corrosion resistance:

Grade 5: exceptionally high resistance to corrosion.

For more information, see full test report, code C/100739/3.

Signed in Zaragoza, 26th April 2017.

Fdo.: Cristina Crespo Miñana
Dirección Técnica

(*) Laboratorio de ensayo acreditado por ENAC con acreditación nº 100/LE740

Pull handles



Pull handles

Stainless steel AISI 304 - AISI 316

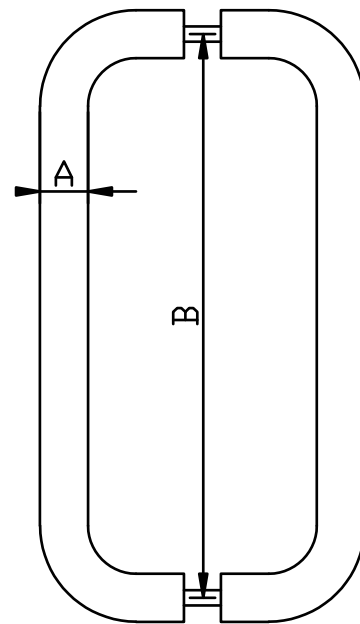
Ausere Hardware *Spain*



Model code 8610

Finishes: SSS - PSS - PVD

A	B	Item no.
19	225	8610-1
19	300	8610-2
19	400	8610-3
22	225	8610-4
22	300	8610-5
22	400	8610-6
25	200	8610-7
25	300	8610-8
25	400	8610-9
25	600	8610-10
32	200	8610-11
32	300	8610-12
32	400	8610-13
32	600	8610-14
32	900	8610-15



For any other size please consult

Ausere Hardware *Spain*

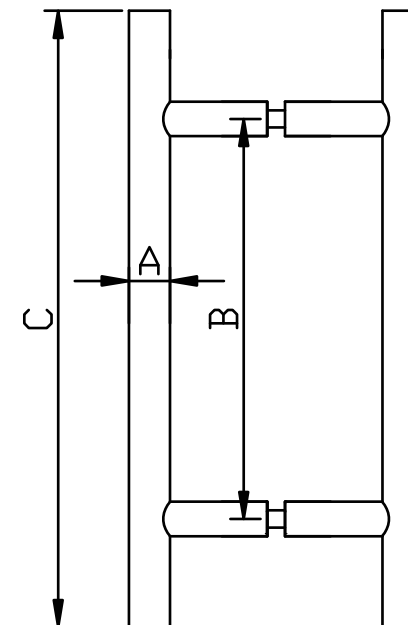
Pull handles

Stainless steel AISI 304 - AISI 316



Model code 8620

Finishes: SSS - PSS - PVD



A	B	C	Item no.
25	200	300	8620-1
25	300	400	8620-2
25	400	500	8620-3
25	600	700	8620-4
25	800	1000	8620-5
32	200	300	8620-6
32	300	400	8620-7
32	400	500	8620-8
32	600	700	8620-9
32	800	1000	8620-10
32	1000	1200	8620-11
32	1400	1600	8620-12

For any other size please consult

Pull handles

Stainless steel AISI 304 - AISI 316

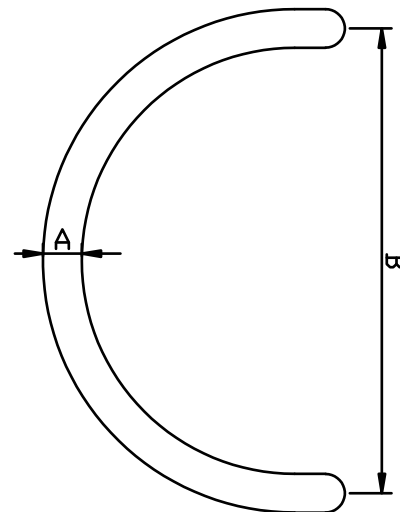
Ausere Hardware *Spain*



Model code 8630

Finishes: SSS - PSS - PVD

A	B	Item no.
25	200	8630-1
25	300	8630-2
32	300	8630-3
32	400	8630-4



For any other size please consult

Ausere Hardware *Spain*

Pull handles

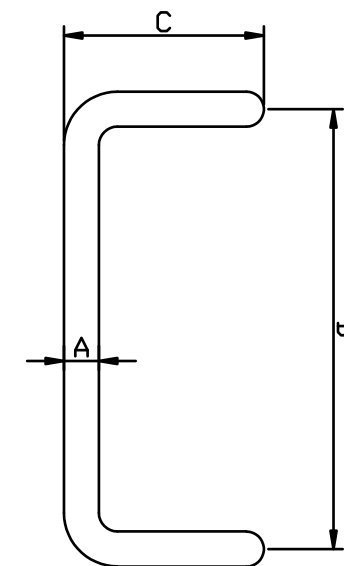
Stainless steel AISI 304 - AISI 316



Model code 8650

Finishes: SSS - PSS - PVD

A	B	Item no.
25	300	8650-1
25	400	8650-2
32	400	8650-3
32	600	8650-4



For any other size please consult

Pull handles

Stainless steel AISI 304 - AISI 316

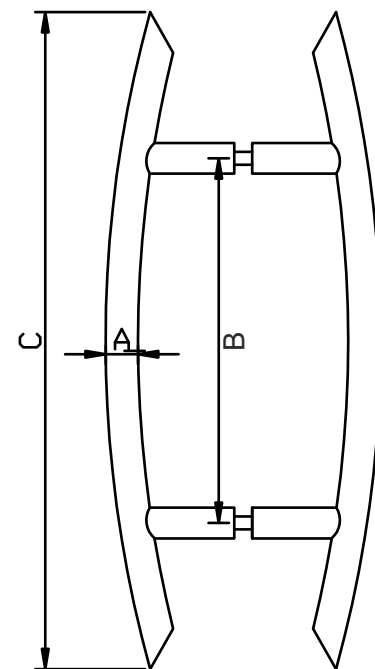


Model code 8660

Finishes: SSS - PSS - PVD

A	B	C	Item no.
25	300	400	8660-1
25	400	500	8660-2
25	500	600	8660-3

For any other size please consult



Ausere Hardware *Spain*

Ausere Hardware *Spain*

Pull handles

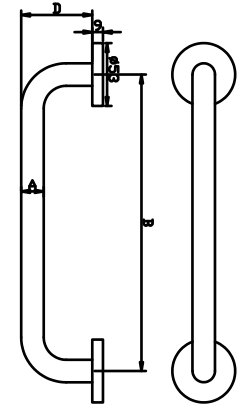
Stainless steel AISI 304 - AISI 316
Finishes: SSS - PSS - PVD



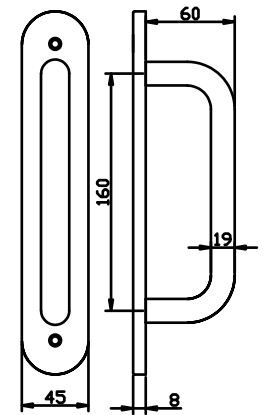
8670

A	B	Item no.
19	150	8670-1
19	200	8670-2
19	250	8670-3
19	300	8670-4

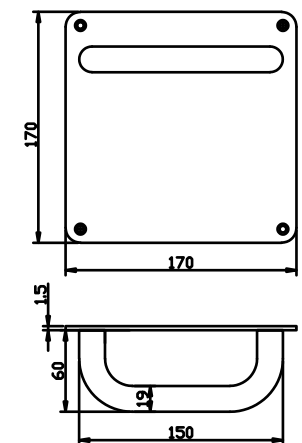
For any other size please consult



8680



8685



Pull handles

Stainless steel AISI 304 - AISI 316

Finishes: SSS - PSS - PVD

Ausere Hardware *Spain*



Push plate

A	B	Item no.
300	75	10620
400	100	10621

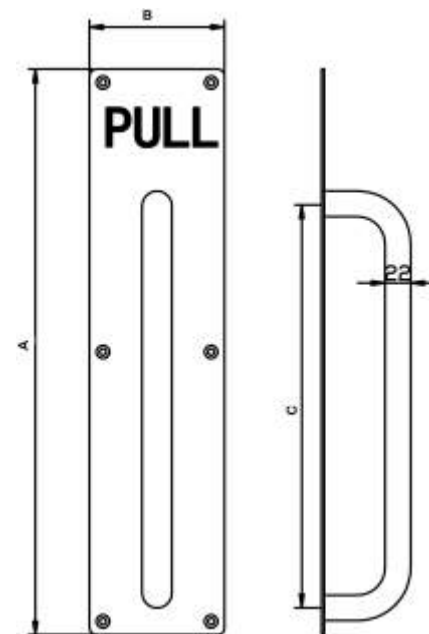
For any other size please consult



Pull plate

PLATE		PULL		Item no.
A	B	φ	C	
300	75	22	225	10625
400	100	22	300	10626

For any other size please consult



Herrajes Ausere SL

Calle P nave 5
Poligono Malpica-Alfindén
CP 50171 LA PUEBLA DE ALFINDÉN
ZARAGOZA - SPAIN

Phone 0034 976 108 493

Fax 0034 976 107 947

Email export@ausere.com
internacional@ausere.com

www.herrajesausere.com